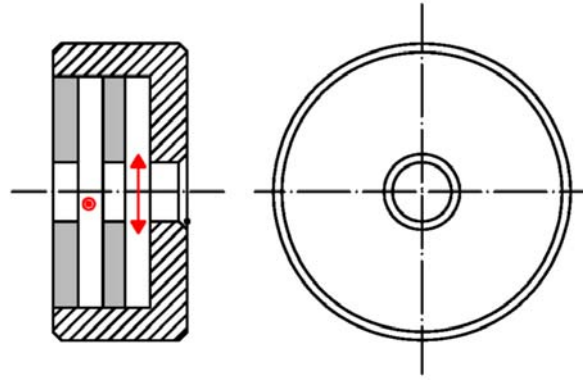


Air-Spaced Zero Order Waveplate



Air spaced zero order waveplate is constructed by two quartz plates installed in a mount, to form a air gap between the two quartz plates. The difference in thickness between the two plates determines the retardance. Zero order waveplates offer a substantially lower dependence on temperature and wavelength change than multi-order waveplates.

Specifications:

Material.....Crystal Quartz

Dimension Tolerance.....+0.0/-0.2mm

Wavefront Distortion..... $\lambda/8@632.8nm$

Retardation Tolerance..... $\lambda/300$

Parallelism(single plate).....<1 arc second

Surface Quality.....20/10 scratch and dig

Clear Aperture.....>90% central area

Coating.....AR coating on both sides, $R<0.25\%@\lambda$

Damage Threshold.....5J/cm²,10ns,10Hz

P/N	Type	Φ	T	CA	λ
70501	$\lambda/4$	25.4	5.8	12.0	532nm
70502	$\lambda/4$	25.4	5.8	15.0	532nm
70503	$\lambda/2$	25.4	5.8	12.0	632.8nm
70504	$\lambda/2$	25.4	5.8	15.0	532nm

- Demension unit:mm
- Other sizes and coatings are available upon request.