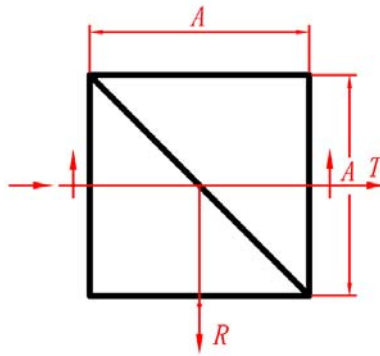


## Beamsplitter Cube



Beamsplitter Cube is a more sophisticated type consisting of two right- angle prisms cemented together at their hypotenuse faces. The cemented face of one prism is coated. Before cementing, with a metallic or dielectric layer having the desired reflecting properties, both in the percentage of reflection and the desired color. The absorption loss to the coating is minimal and transmission and reflection approach 50%.

### Specifications:

Material .....BK7

Dimension tolerance ..... $\pm 0.2\text{mm}$

Flatness ..... $\lambda/4$  @632.8nm

Surface quality.....60-40

Beam Deviation..... $< 3'$

Bevel.....Protective

### Coatings:

①beamsplitter coating on one of hypotenuse faces, $T/R=50/50(\pm 5\%)$ , $R=(R_s+R_p)/2$ , $T=(T_p+T_s)/2$ ,AOI  $45^\circ$ .

②V type anti-reflecting coating on other I/O faces, $R_{(avg)} < 0.5\%$ ,AOI  $45^\circ$ .

P/N	Size	$\lambda$
60201	10×10×10	532nm
60202	10×10×10	632.8nm
60203	15×15×15	532nm
60204	15×15×15	632.8nm
60205	20×20×20	532nm
60206	20×20×20	632.8nm
60207	25.4×25.4×25.4	532nm
60208	25.4×25.4×25.4	632.8nm
60209	10×10×10	450nm-650nm
60210	15×15×15	450nm-650nm
60211	20×20×20	450nm-650nm
60212	25.4×25.4×25.4	450nm-650nm

●Demension unit:mm

●Other sizes and coatings are available upon request.