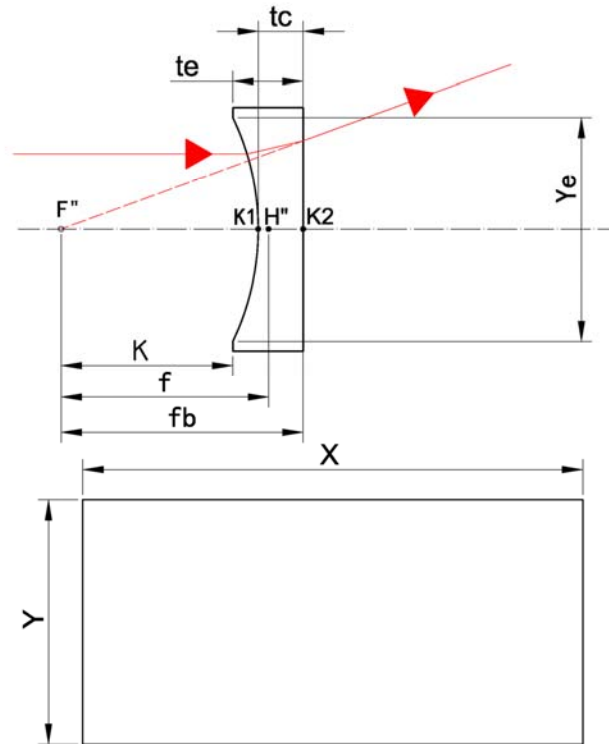


Plano-Concave Cylindrical Lens



Plano-concave cylindrical lenses act as plano-concave spherical lenses, except on only one axis. Plano-concave cylindrical lenses are used in applications that require one dimensional shaping of a light source. A typical application is to use a single cylindrical lens to turn a collimated laser into a line generator. Pairs of cylindrical lenses may be used to anamorphically shape images. To minimize the introduction of aberration, the curved surface of the lens should face the source when used to diverge a beam.

Specification:

Material.....BK7,UVFS

Dimension Tolerance..... $\pm 0.1\text{mm}$

Thickness Tolerance..... $\pm 0.2\text{mm}$

Design Wavelength.....587.6nm

Centration..... < 3 arc min.

Clear Aperture..... $> 90\%$

Surface Quality.....60-40

Paraxial Focal Length..... $f \pm 2\%$

Coating.....No Coating

P/N	f	X	Y	Ye	tc	te	K_2H''	fb	Material
40201	-6.35	25	6	5	6.2	-3.3	-9.7	3.49	BK7
40202	-12.7	25	11	5	7.3	-3.3	-16	8.68	BK7
40203	-19	25	16	5	8.5	-3.3	-22.3	13.81	BK7
40204	-25.4	60	16	5	7.4	-3.3	-28.7	21.34	BK7
40205	-38.1	60	26	5	9.5	-3.3	-41.4	31.92	BK7

P/N	f	X	Y	Y_e	t_c	t_e	K₂H''	f_b	Material
40206	-40	60	26	5	9.2	-3.3	-43.3	34.09	BK7
40207	-50	60	26	5	8.2	-3.3	-53.3	45.07	BK7
40208	-60	60	26	5	7.6	-3.3	-63.3	55.67	BK7
40209	-76.2	60	26	5	7	-3.3	-79.5	72.46	BK7
40210	-80	60	26	5	6.9	-3.3	-83.3	76.36	BK7
40211	-100	60	26	5	6.5	-3.3	-103.3	96.76	BK7
40212	-150	60	26	5	6	-3.3	-153.3	147.28	BK7
40213	-200	60	26	5	5.8	-3.3	-203.3	197.54	BK7
40214	-250	60	26	5	5.6	-3.3	-253.3	247.69	BK7
40215	-300	60	26	5	5.5	-3.3	-303.3	297.79	BK7
40216	-12.70	25.00	10.00	5.00	7.10	-3.40	-16.10	9.00	UVFS
40217	-19.00	25.00	15.00	5.00	8.50	-3.40	-22.40	13.90	UVFS
40218	-25.40	25.00	15.00	5.00	7.30	-3.40	-28.80	21.50	UVFS
40219	-40.00	60.00	26.00	5.00	9.90	-3.40	-43.40	33.50	UVFS
40220	-50.00	60.00	26.00	5.00	8.70	-3.40	-53.40	44.70	UVFS
40221	-76.20	60.00	26.00	5.00	7.30	-3.40	-79.60	72.30	UVFS
40222	-100.00	60.00	26.00	5.00	6.70	-3.40	-103.40	96.70	UVFS
40223	-200.00	60.00	26.00	5.00	5.90	-3.40	-203.40	107.60	UVFS
40224	-300.00	60.00	26.00	5.00	5.60	-3.40	-303.40	297.90	UVFS

- Dimension unit:mm
- Other sizes and coatings are available upon request.